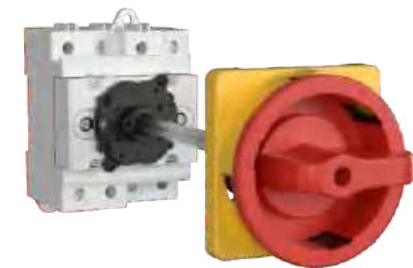
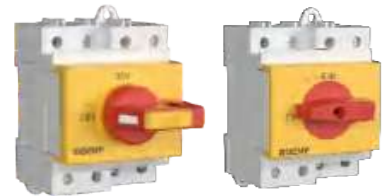


**BYT.2 Series
DC Isolator Switches**



Accessories

Application

ZBENY BYT.2 series DC Isolator Switches are applied to 1-20KW Inverter, Controller, DC Combiner Box, used for Residential or Commercial PV solar power system(on-grid/off-grid). Arcing time less than 3ms, that make PV solar system effectively disconnected.

BYT.2-32 DC Isolator Switches

- DIN Rail Mounting
- BYT.2 -32 Rated Voltage 1200V DC
- OFF LOCKABLE
- Flame-Retardant
- Arcing Time < 3ms
- IEC60947-3
- 4Poles(Single|Double Strings Available)
- DC-PV2: 16A,25A,32A up to 1200V DC

BYT.2-32 DC Isolator Switches

- DIN Rail Mounting Door Clutch
- BYT.2-32 Rated Voltage 1200V DC
- OFF LOCKABLE
- Flame-Retardant
- Arcing Time < 3ms
- IEC60947-3
- 4 poles(Single|Double Strings Available)
- DC-21B: 16A,25A,32A up to 1200V DC

Parameter

| Electrical Characteristics | |
|--|--|
| Type | BYT.2-32 |
| Function | Isolator, Control |
| Standard | IEC60947-3, AS60947.3 |
| Utilization category | DC-PV2 |
| Pole | 4P |
| Rated frequency | DC |
| Rated operational voltage (U_e) | 300V, 600V, 800V, 1000V, 1200V |
| Rated operational current (I_e) | See the next page |
| Rated insulation voltage (U_i) | 1200V |
| Conventional free air thermal current(I_{th}) | // |
| Conventional enclosed thermal current(I_{thc}) | Same as I_e |
| Rated short-time withstand current (I_{cw}) | 1kA, 1s (4, 4S, 4B); 1.7kA, 1s (2H) |
| Rated short-time making capacity (I_{cm}) | 1.7kA, (4, 4S, 4B); 3kA, (2H) |
| Rated conditional short-circuit current (I_{cn}) | 3kA |
| Rated impulsive withstand voltage (U_{imp}) | 8.0kV |
| Overvoltage category | II |
| Suitability for isolation | Yes |
| Polarity | No polarity, "+" and "-" polarities could be interchanged. |
| Service Life/Cycle Operation | |
| Mechanical | 15000 |
| Electrical | 1000 |
| Installation Environment | |
| Ingress Protection | IP20 |
| Storage Temperature | -40°C ~ +85°C |
| Mounting Type | Vertically or horizontally |
| Pollution degree | 3 |
| Suitable environment | Indoor |

| Identification | | Rating data | | |
|--|--|--|---|--|
| Switch, unenclosed - catalogue number (with DC-PV2 rating) | | BYT.2-32 | | |
| Assembly of switch and specific dedicated individual enclosure - catalogue number | | / | | |
| I_{th} rated thermal current, unenclosed, at 40°C shade ambient air temperature | | 32 amps | | |
| I_{thc} rated thermal current, indoors, at 40°C shade ambient air temperature, in a specific dedicated enclosure | | 32 amps | | |
| I_{tho} rated thermal current outdoors at 40°C shade ambient air temperature without solar effects in a specific dedicated enclosure rated IP66NW | | 32 amps | | |
| I_{tho} solar current value outdoors at 60°C shade ambient air temperature (see D.8.3.11, table D3), with solar effects in a specific dedicated enclosure rated IP66NW | | 29 amps | | |
| | | U_e rated operational voltage DC Volts | I_e ; DC-PV2 rated operational current Amps | $I_{(make)}$ and $I_{(break)}$ DC-PV2 4 x I_e Amps |
| 2 pole (1 / 2 / —) | | ≤600 | 32 | 128 |
| | | 800 | 13 | 52 |
| | | 1000 | 9 | 36 |
| | | 1200 | 9 | 36 |
| 4 pole (1 / 2 / 3 / 4 / —) | | ≤600 | 32 | 128 |
| | | 800 | 32 | 128 |
| | | 1000 | 32 | 128 |
| | | 1200 | 32 | 128 |

NOTE 1 The rating data in the table is example data, it is intended to be replaced by the relevant actual data.
 NOTE 2 The ratings section of this table for U_e , I_e and $I_{(make)}$ and $I_{(break)}$ may have other number of poles or pole configurations than that shown, based on the test evidence obtained.
 NOTE 3 The other data required in D.5.2.4 need not be in a table format.

Wiring Diagram for Rated operational voltage U_e (V) & Rated operational current I_e (A)

| Contacts wiring diagram | 600V | 800V | 1000V | 1200V | Poles in series | Number of Strings | Type Number | Weight kg/PCS |
|-------------------------|------|------|-------|-------|-----------------|-------------------|-------------|---------------|
| | 32A | 13A | 9A | 9A | 2 | 2 | 4 | 0.70 |
| | 40A | / | / | / | 2 | 1 | 2H | 0.70 |
| | 32A | 32A | 32A | 32A | 2 | 1 | 4B | 0.70 |
| | 32A | 32A | 32A | 32A | 4 | 1 | 4S | 0.70 |

Welcome to your website for more information:

www.beny.com

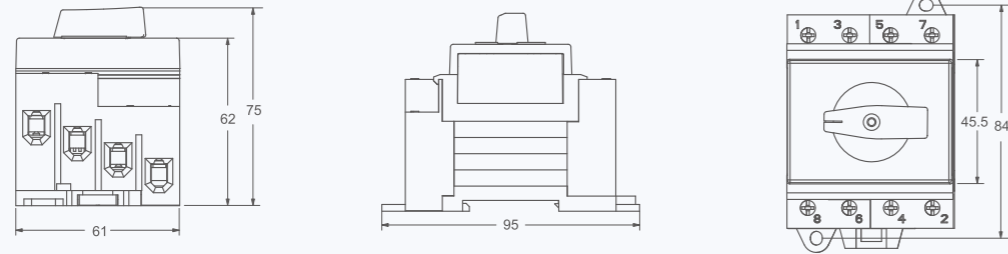
**BYT.2 Series
PV DC Isolator Switches**

Switching Configurations

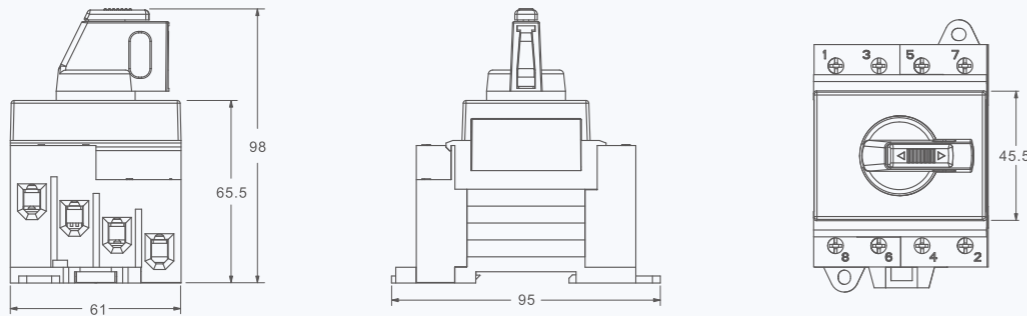
| Type | 4-pole | 2-pole 4 Paralleled Poles | 4-pole with Input and Output bottom | 4-pole with Input on top Output bottom |
|--------------------------|--------|---------------------------------|---|--|
| / | 4 | 2H | 4B | 4S |
| Contacts Wiring graph | | | | |
| Switching example | | | | |

Dimensions(mm)

BYT.2-32
DIN Rail Mounting



BYT.2-32
DIN Rail Mounting
Lockable handle



BYT.2-32
DIN Rail Mounting
Door Clutch
Lockable handle

